

## Unlocking data: federated identity with LSDMA and dCache

**Paul Millar**

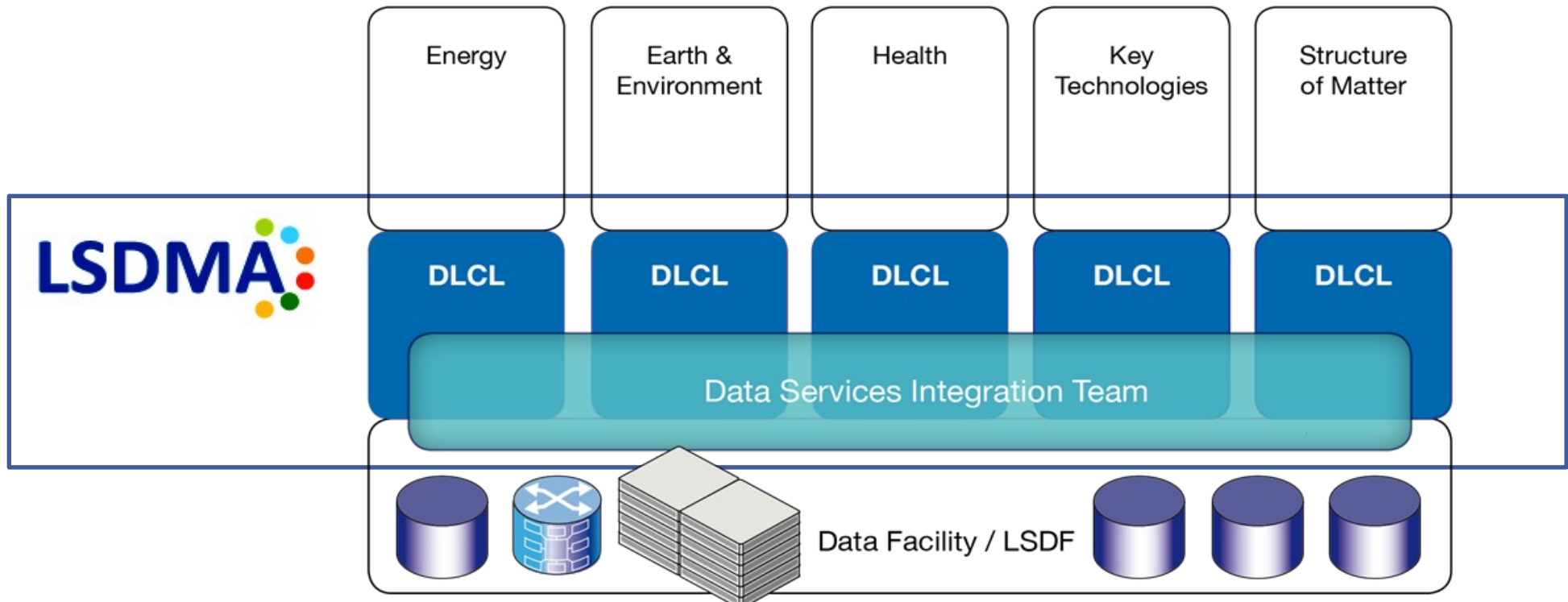
Academia Sinica, 2015-03-19



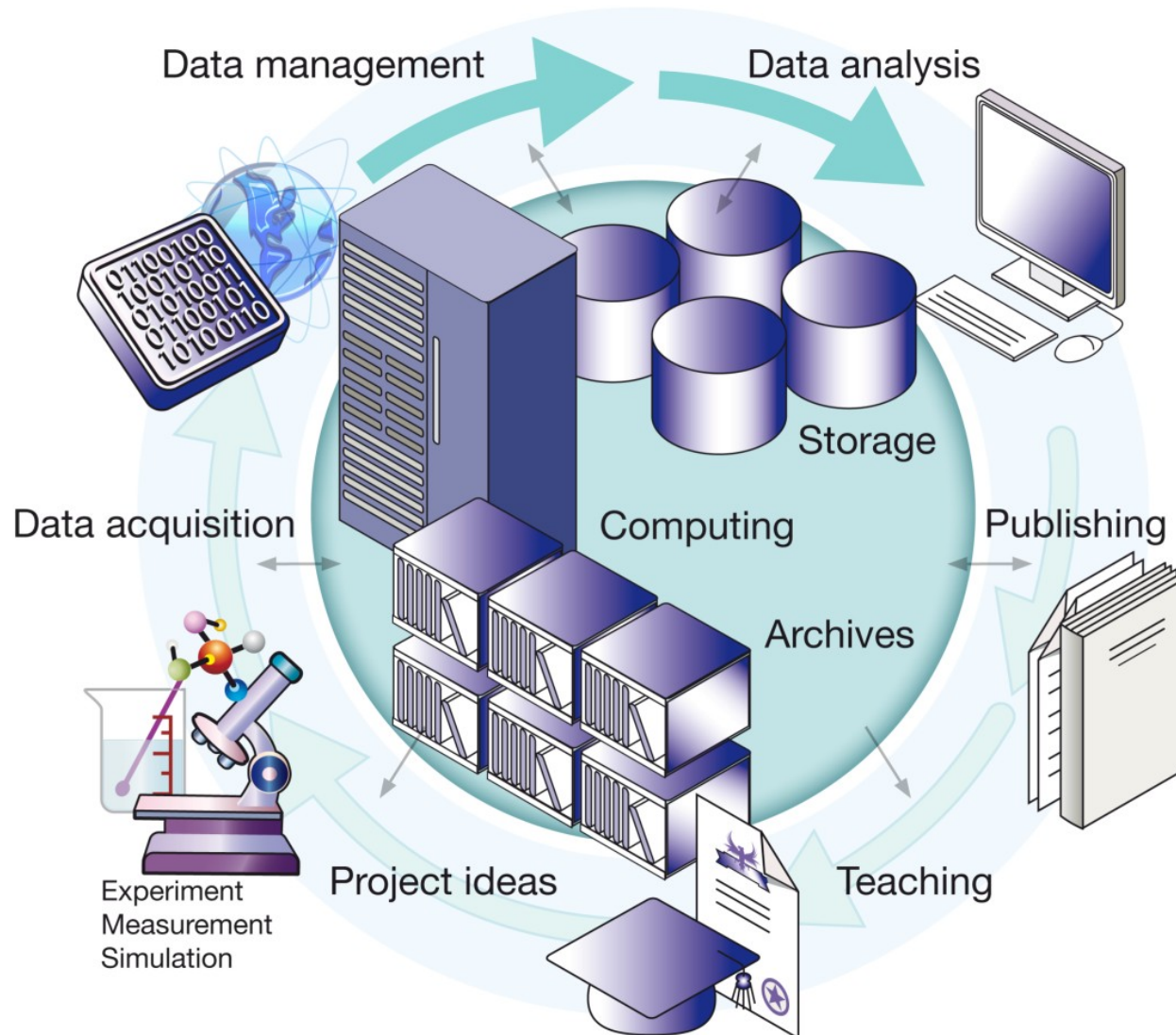
HELMHOLTZ  
| ASSOCIATION



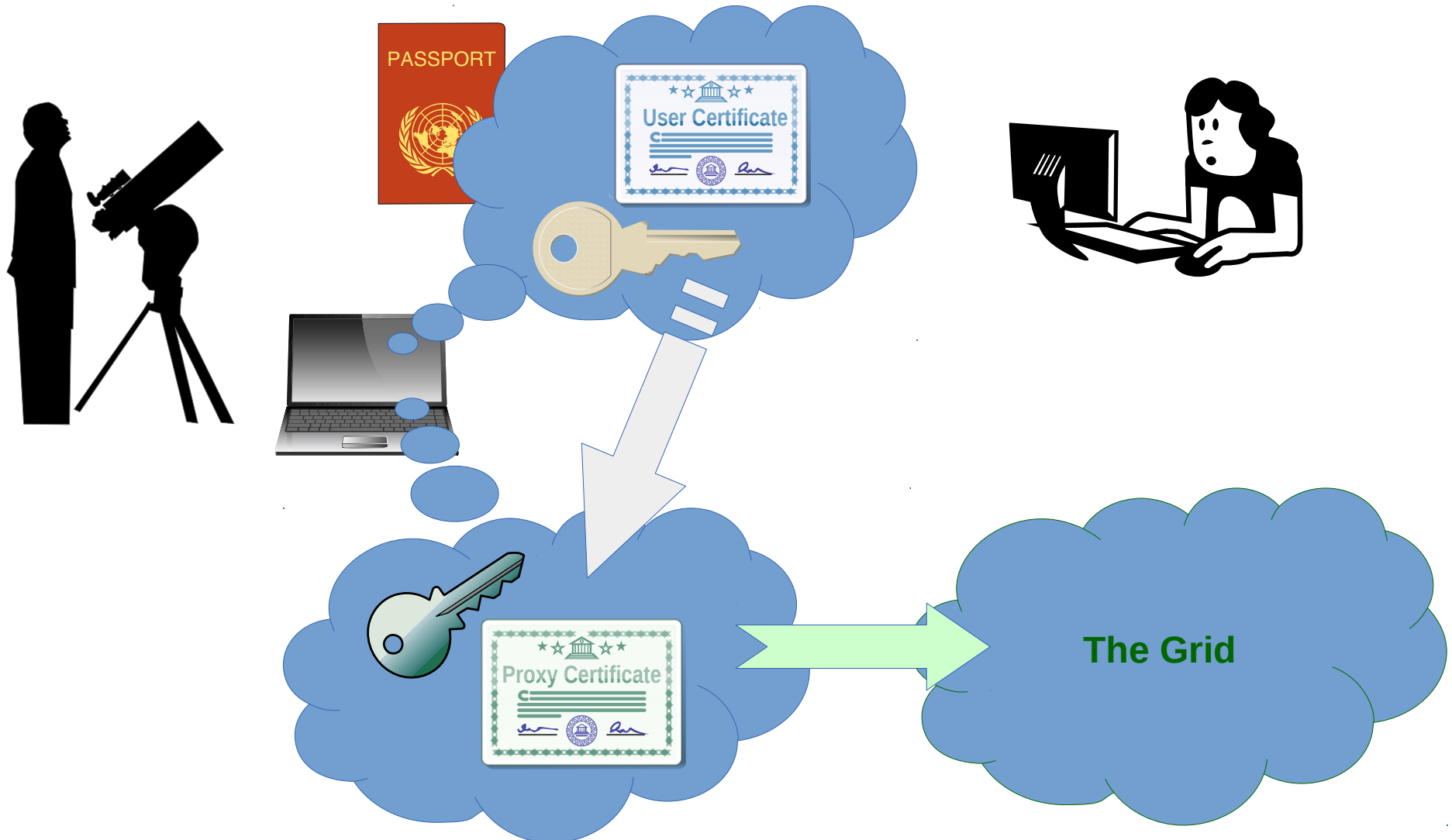
# What is LSDMA



# What is LSDMA



# The grid solution: X.509 (user) certificates



# X.509 certificates: a huge success!

"It's been a global effort, a global success. It has only been possible because of the extraordinary achievements of the experiments, infrastructure and the **grid computing**."



**Rolf Heuer**, the Director General of CERN

---

# X.509 certificates: typical user reaction



# Federated Identity



Check who you are  
&  
Authorisation decision

Check who you are



Record information



Authorisation decision

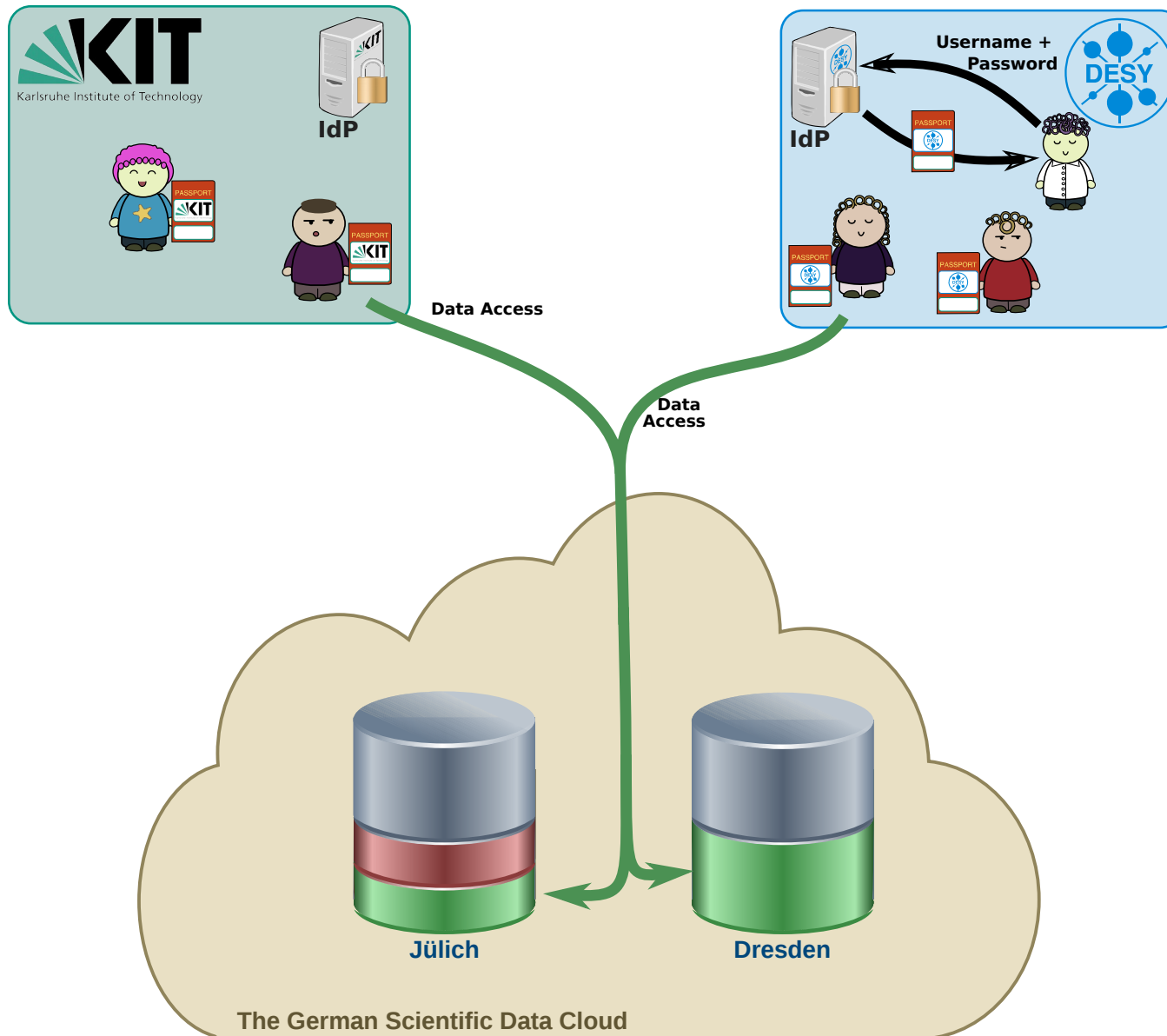


Identity **Provider (IdP)**

Assertion

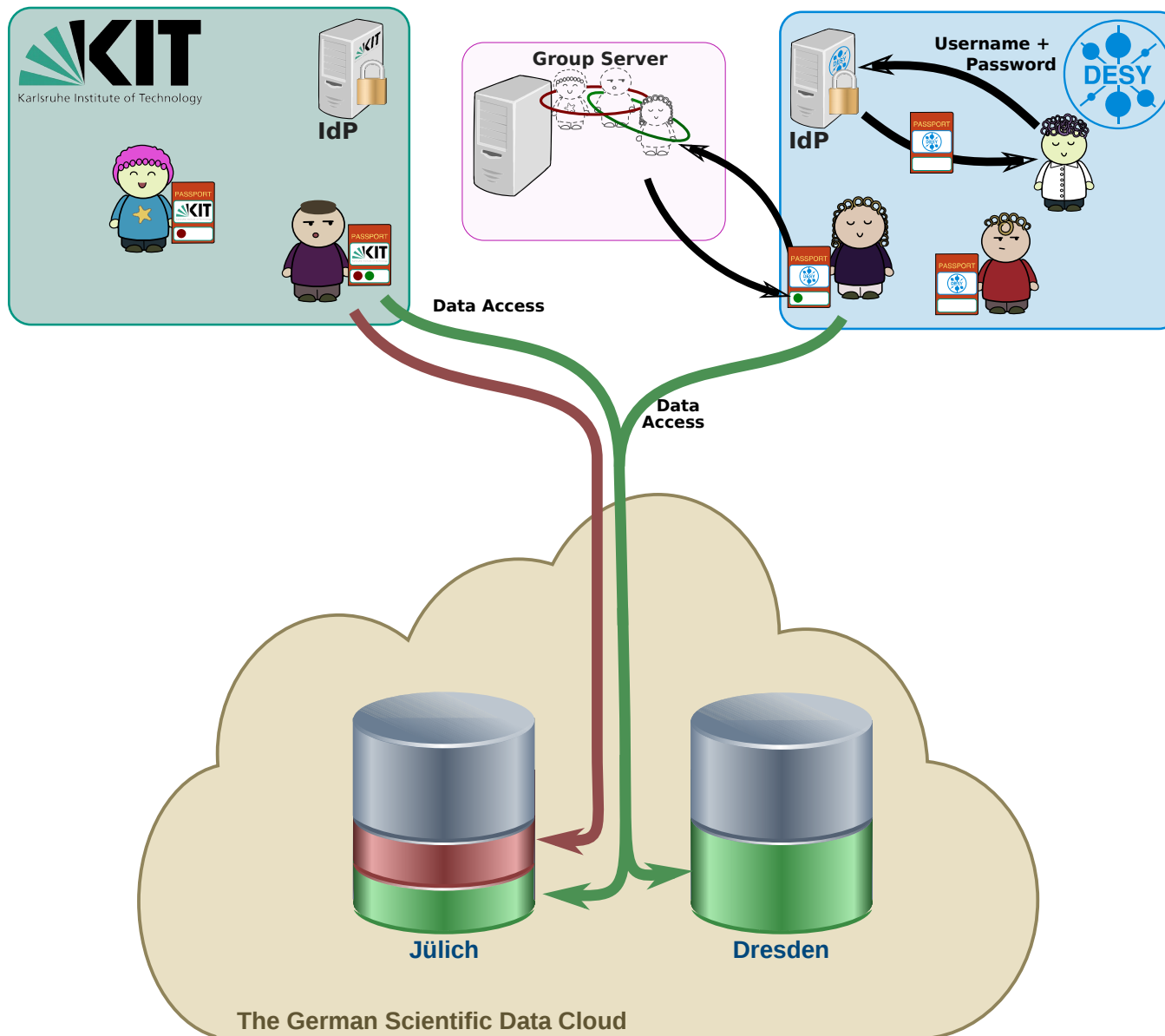
Service **Provider (SP)**

# Federated Identity: the vision





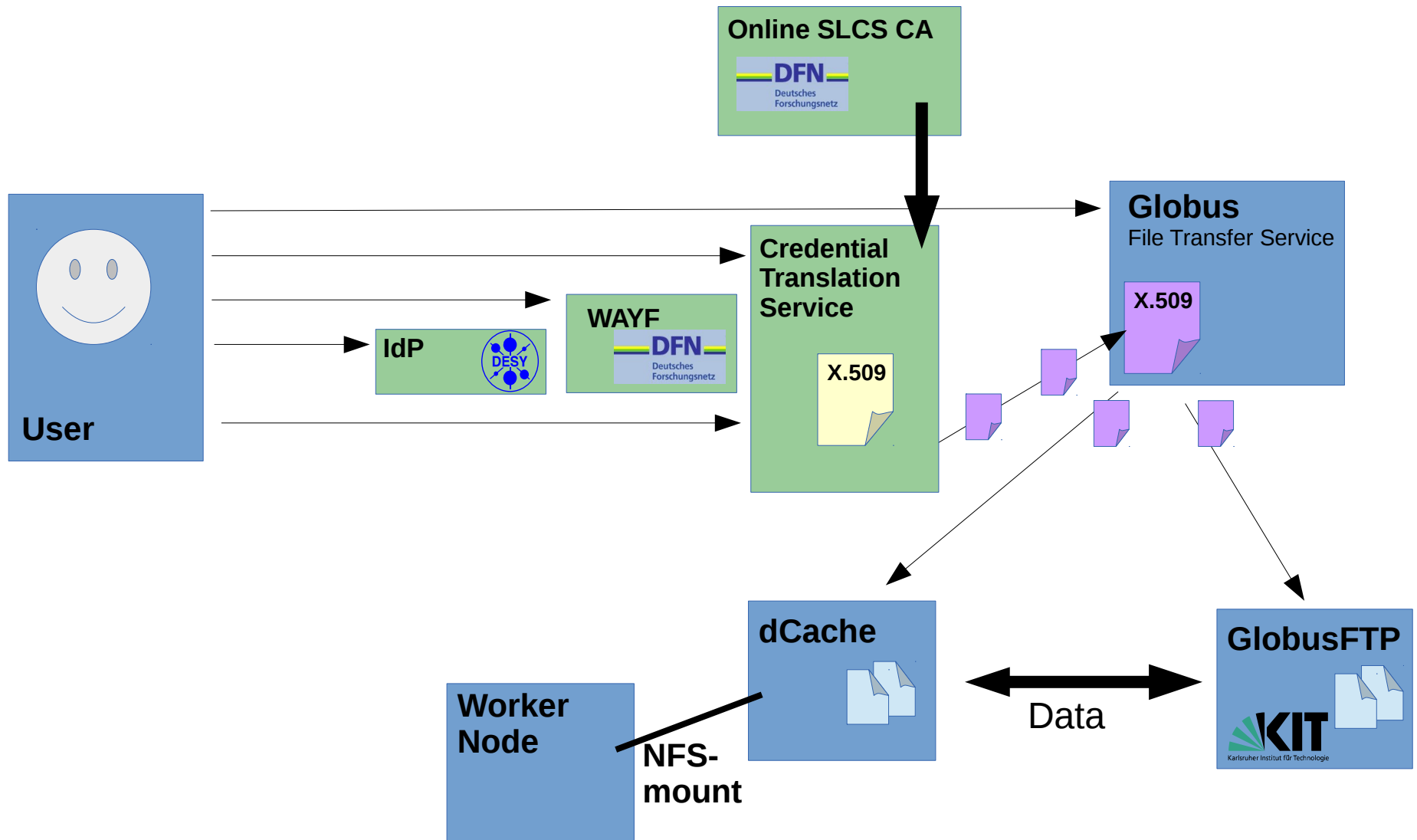
# Federated Identity: the vision



## Web portals

- User logs in with Federated Identity authentication.
  - Web portal needs access to data
    - but existing infrastructure is X.509 based.
  - Two choices:
    - “Generate” X.509 credential,
    - Update infrastructure to support Federated Identity credentials.
  - Plan to do both, but focusing on the first one initially.
-

# Credential translation: the plan



# Command-line support

- Work on hybrid approach
    - Send assertion as a “password”
    - Uses an “Idap façade” service
    - “Password” (assertion) is processed by Idap façade.
    - Requires user to somehow acquire assertion.
  - Moonshot is an alternative
    - See Daniel Kouřil's talk yesterday
-

# AARC

- A **new project** to fix all this!
    - ~€3M budget, 19 funded+2 unfunded
    - 2 year project, starts 1 May 2015.
    - Broad scope, which includes non-web clients.
  - Plan to collaborate with AARC  
(one of the LSDMA institutes is part of the project)
-

## Next steps

- Working on building up a reliable CTS.
  - Investigate command-line options
    - Continue existing work, liaise with AARC
  - Add support in dCache for Federated Identity-based login
    - Initial version assumes web-browser and has an Apache front-end.
-

Thanks for listening.

Any questions?